



# ASSEMBLY INSTRUCTIONS

## Model : OS#291V

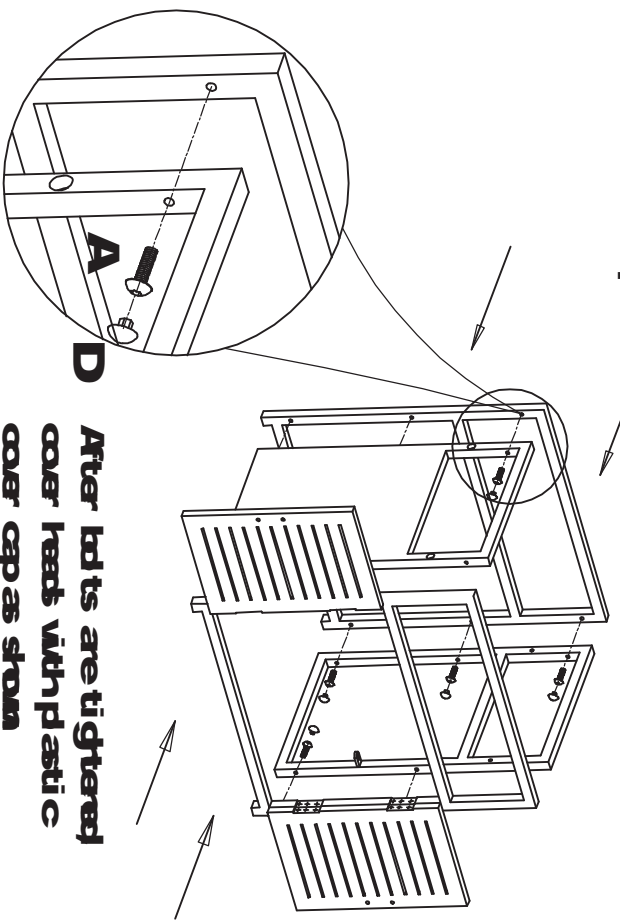
### Part list:

|          |              |      |                       |          |              |      |      |
|----------|--------------|------|-----------------------|----------|--------------|------|------|
| <b>A</b> | Bolt M6X40MM | SC09 | 12PCS PLUS<br>4 EXPRS | <b>B</b> | Bolt M6X16MM | SC08 | 4PCS |
| <b>C</b> | Bolt M6X30MM | SC01 | 8PCS                  | <b>D</b> | Cover        | FD0B | 2PCS |
| <b>E</b> | Bolt M25     | SC20 | 4PCS                  | <b>F</b> | Weld 1       | FO05 | 2PCS |
| <b>G</b> | Handle       | HP05 | 2PCS                  | <b>H</b> | Weld 2       | FO07 | 2PCS |
| <b>I</b> | Hex wrench   | RV03 | 1PC                   | <b>J</b> | NS Wrench    | RV02 | 1PC  |
| <b>K</b> | Bolt M6X35MM | SC00 | 4PCS                  | <b>L</b> | Oddset       | HP02 | 6PCS |
| <b>M</b> | Wrench       | SM01 | 4PCS                  |          |              |      |      |

### Note

Reverse unscrew bolt from legs and reuse them for assembly

Step 1: Assemble the back left panel, two side wall panels, and front door panel as shown with hardware provided. Do not tighten until all bolts are in place



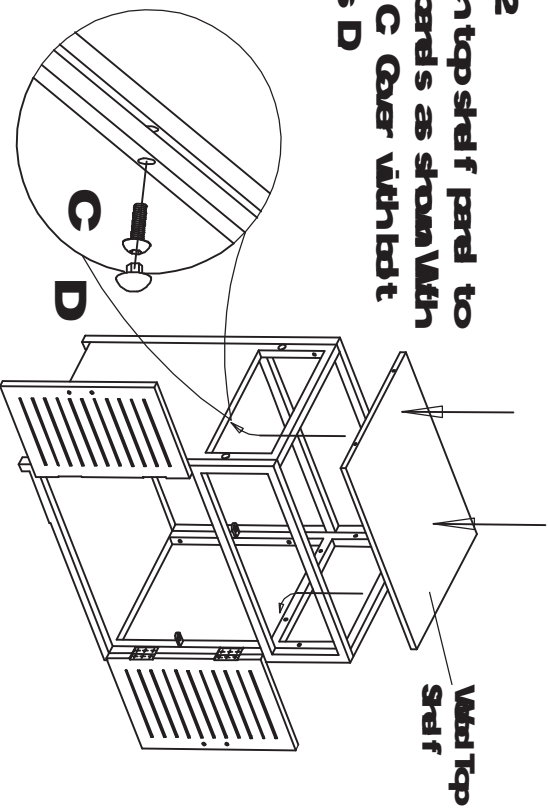
**D** After bolts are tightened, cover heads with plastic cover caps as shown

# ASSEMBLY INSTRUCTIONS

## Model : OS#291V

### Step 2

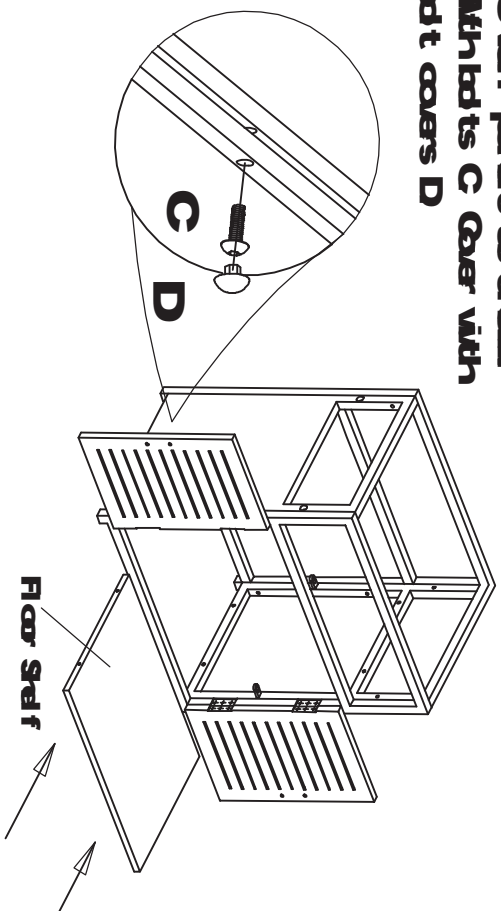
Attach top shelf panel to wall panels as shown with bolts C. Cover with bolt covers D



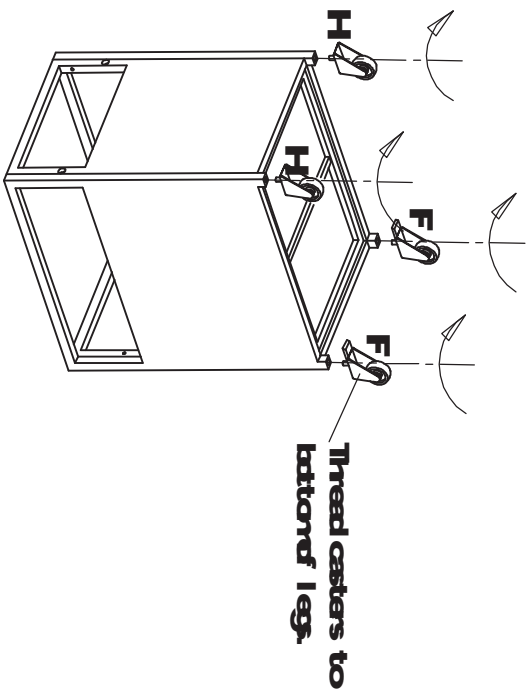
Weld Top Shelf

### Step 3

Attach bottom shelf panel to wall panels as shown with bolts C. Cover with bolt covers D

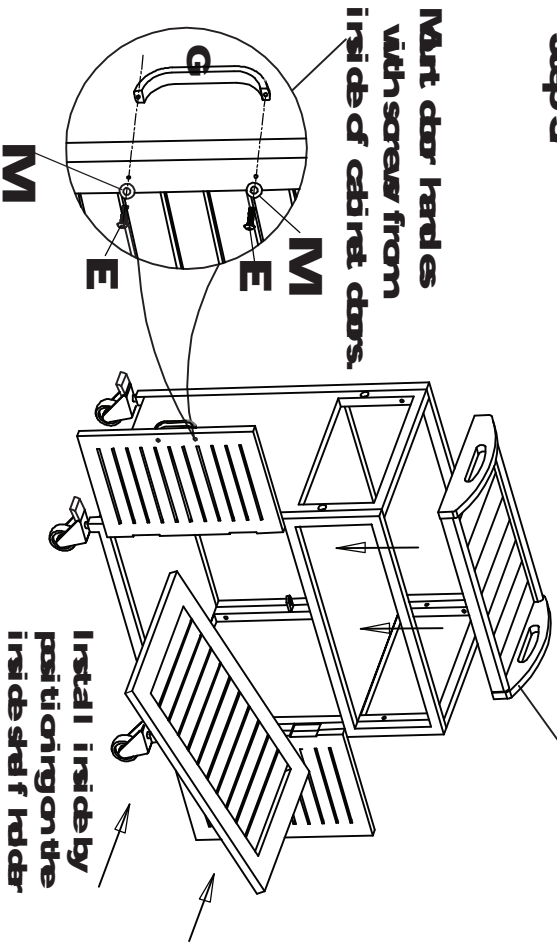


**ASSEMBLY INSTRUCTIONS**  
**MODEL : OS#12917**



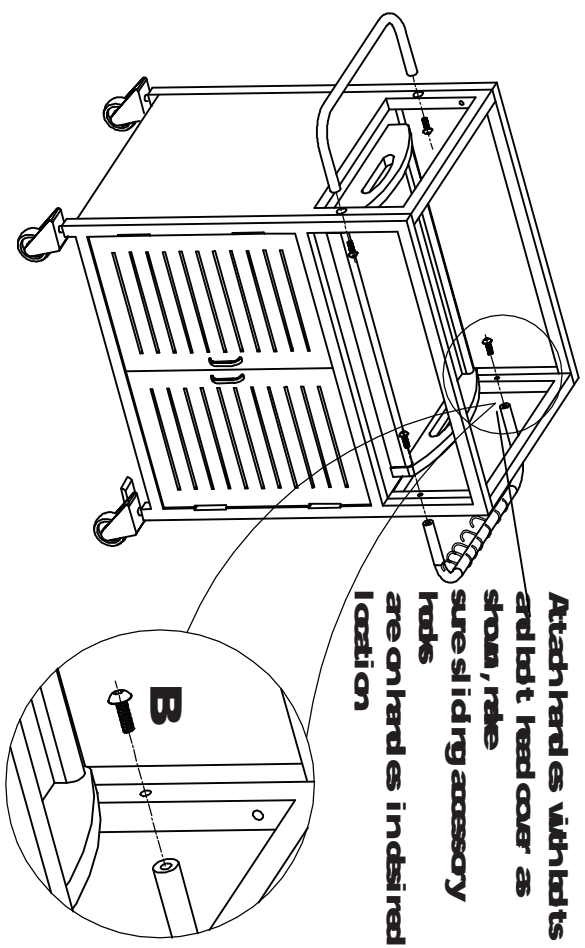
**Step 4**  
 Thread casters to bottom of legs.  
 H  
 F  
 F

**Step 5**  
 Optional vent tray stores on top shelf of cart.

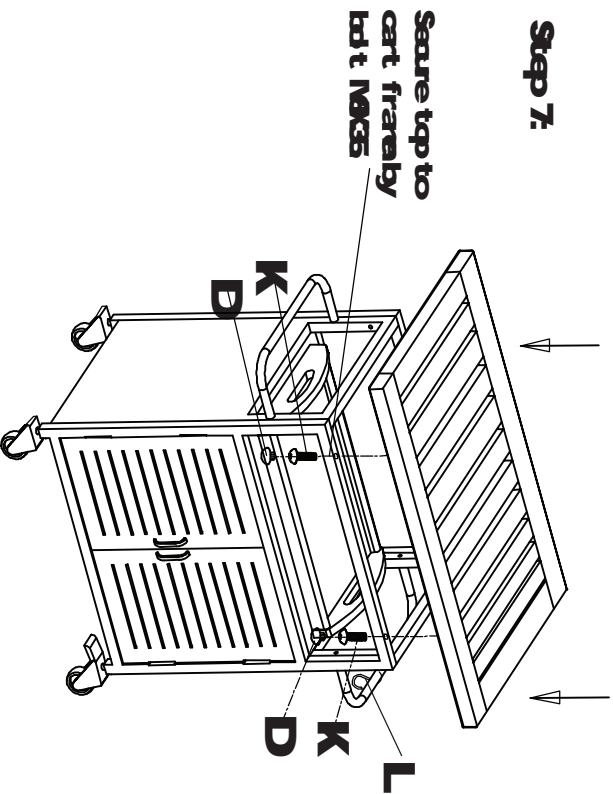


Mount door handles with screws from inside of cabinet doors.  
 G  
 E  
 E  
 M  
 M  
 Install inside by positioning on the inside shelf of cabinet.

**ASSEMBLY INSTRUCTIONS**  
**MODEL : OS#12917**



**Step 6**  
 Attach handles with bolts and bolt head cover as shown, make sure sliding accessory rods are on handles in desired location.  
 B



**Step 7:**  
 Secure top to cart frame by bolt NUTS

K  
 D  
 K  
 D  
 L

**ASSEMBLY INSTRUCTIONS**  
**MODEL : OS#2917**

**Cardboard unit**

